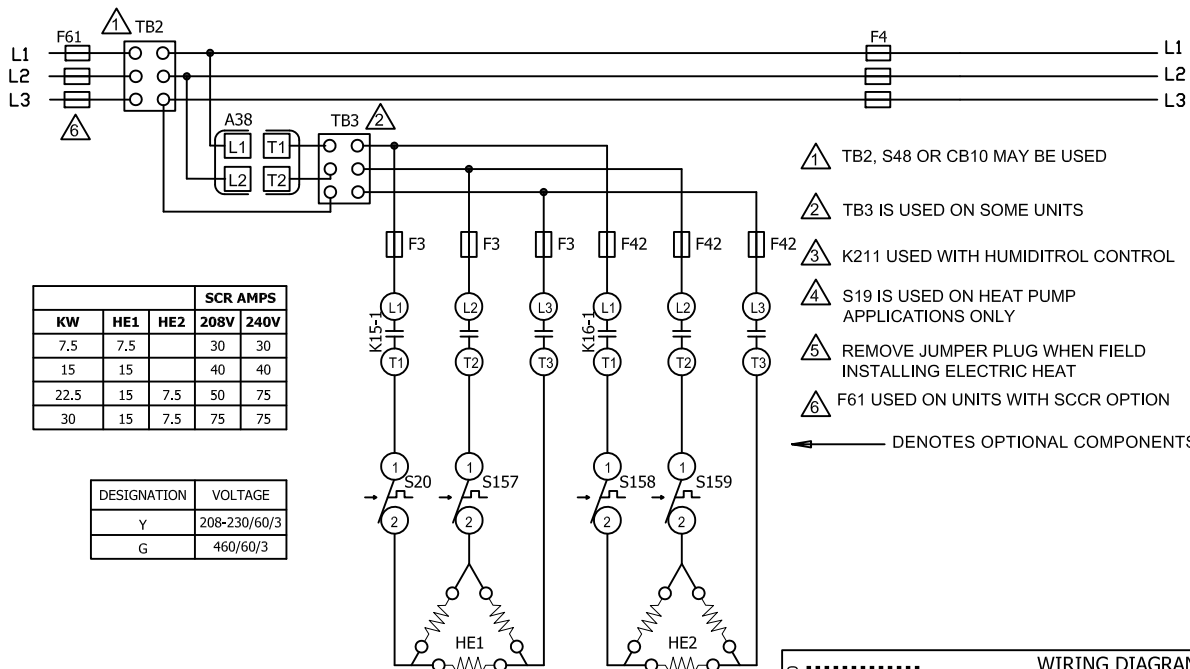


KEY	DESCRIPTION
A38	CONTROL, SCR ELECTRIC HEAT
A55	PANEL, MAIN
A104	THERMOSTAT, SUPPLY AIR
F3	FUSE, ELECTRIC HEAT 1
F4	FUSE, UNIT
F4 2	FUSE, ELECTRIC HEAT 2
F61	FUSE, UNIT - SCCR
HE1	ELEMENT, ELECTRIC HEAT 1
HE2	ELEMENT, ELECTRIC HEAT 2
K15,-1	CONTACTOR, ELECTRIC HEAT 1
K16,-1	CONTACTOR, ELECTRIC HEAT 2
K161,-1	RELAY, SCR INTERRUPT

K162,-1	RELAY, SCR HIGH OUTPUT
K211,-1	RELAY, LOCKOUT
RT20	SENSOR, DISCHARGE SCR
S15	SWITCH, LIMIT PRIMARY ELECTRIC HEAT
S19	THERMOSTAT, ELECTRIC HEAT LIMIT
S20	SWITCH, LIMIT SECONDARY ELEC. HEAT 1 (NO RESET)
S26	THERMOSTAT, AMBIENT
S157	SWITCH, LIMIT SECONDARY ELEC. HEAT 1 (NO RESET)
S158	SWITCH, LIMIT SECONDARY ELEC. HEAT 2 (NO RESET)
S159	SWITCH, LIMIT SECONDARY ELEC. HEAT 2 (NO RESET)
TB2	TERMINAL STRIP, UNIT
TB36	TERMINAL STRIP, SCR


KEY	DESCRIPTION
7	ELECTRIC HEAT SUB BASE KIT
297	THERMOSTAT INTERFACE



- ⚠ TB2, S48 OR CB10 MAY BE USED
- ⚠ TB3 IS USED ON SOME UNITS
- ⚠ K211 USED WITH HUMIDITROL CONTROL
- ⚠ S19 IS USED ON HEAT PUMP APPLICATIONS ONLY
- ⚠ REMOVE JUMPER PLUG WHEN FIELD INSTALLING ELECTRIC HEAT
- ⚠ F61 USED ON UNITS WITH SCCR OPTION
- ← DENOTES OPTIONAL COMPONENTS

KW	SCR AMPS		208V	240V
	HE1	HE2		
7.5	7.5		30	30
15	15		40	40
22.5	15	7.5	50	75
30	15	7.5	75	75

DESIGNATION	VOLTAGE
Y	208-230/60/3
G	460/60/3

2020/10		WIRING DIAGRAM	10/20
		538122-01	
HEATING - SCR			
SCR ELECTRIC HEAT CONTROL - STAND ALONE 7.5, 15, 22.5, 30 - Y			
SECTION A			REV. 0
Supersedes		New Form No. 538122-01	